



Basiq BP550 PLUS

User's Manual

Manuel de l'utilisateur

Anwenderhandbuch

Manuale per l'operatore

Manual del usuario

取扱説明書

中文使用手冊

User's Manual

Antec Basiq User's Manual

ATX12V version 2.2 power supply Model BP550 PLUS

Antec Basiq series power supplies are built to be compatible with the ATX12V version 2.2 specification. They include triple 12V output circuitry that delivers safer and more reliable output to your system's components, as well as higher energy efficiency, which reduces power consumption by up to 25%, saving you money on your electricity bill. In addition we've included a variety of protective circuitry: OPP (Over Power Protection), OVP (Over Voltage Protection), and SCP (Short Circuit Protection).

BP550 PLUS includes Universal Input with Active Power Factor Correction (PFC).

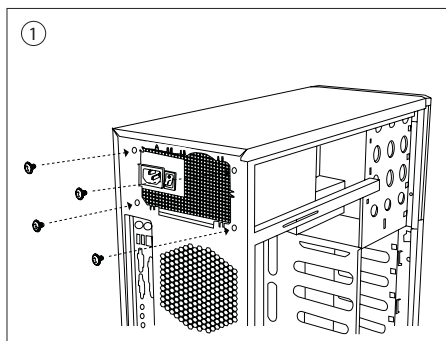
Universal Input allows you to connect your Antec Basic power supply to any AC power outlet between 100 ~ 240V without having to worry about setting a voltage switch. Active PFC improves the power factor value to the power supply by altering the input current wave shape, helping the power plant provide power to users more efficiently.

Power Switch:

This power supply comes with a main power switch. Make sure you turn the switch to the ON (I) position before you boot up your computer for the first time. In normal operation there is no need to turn the switch to the OFF (O) position since the power supply is equipped with a soft on/off feature which turns your computer on and off through the soft switch on your computer case. You may need to turn the switch to the OFF position occasionally should your computer crash and you cannot shut it down through use of the soft switch.

Installation:

1. Turn off the hard power switch on your old power supply if any.
2. Open your computer case. Follow the directions provided in your case manual.
3. Disconnect all power connectors from the motherboard and from the peripheral devices such as case fans, hard drives, optical drives, floppy drives, etc.
4. Disconnect the power cord from your old power supply.
5. Remove the existing power supply from your computer case and replace it with your new Antec power supply. (Illustration 1)



6. Turn the hard switch on the Antec power supply to the OFF (O) position and connect the AC power cord to the power supply.
7. Connect the 24-pin Main Power Connector. (Illustration 2) If the motherboard uses a 20-pin connector, detach the 4-pin attachment on the 24-pin power connector (see pictures 1 and 2).

Note: the detachable 4-pin section cannot be used in place of a 4-pin + 12V connector.

Picture 1

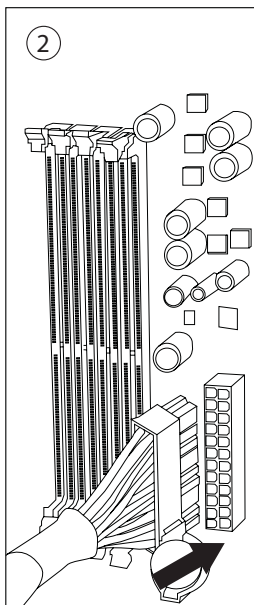


For 24-pin motherboards

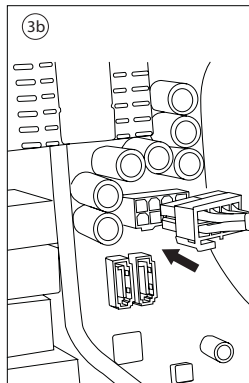
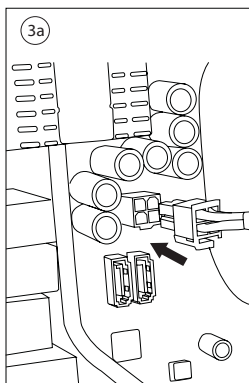
Picture 2



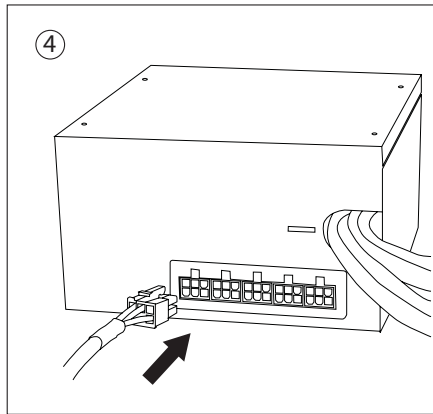
For 20-pin motherboards



8. Connect the 4-pin (Illustration 3a) or 8-pin (Illustration 3b) 12V connector to the motherboard as needed.



9. If your video card requires a PCI-E Connector, then connect the cable from the main wire bundle to your video card.
10. Attach modular cables from the included cable pack as needed. (Illustration 4)







11. Connect the Drives and Accessories Cable to devices such as hard drives, optical drives, fans, etc.
12. Connect the SATA cable if you are using a Serial ATA hard drives.
13. If you are running a pair of PCI-E cards or a single PCI-E Card that requires two power connectors, then you will need to use the modular PCI-E cable. Connect the cable to the red socket on the power supply. Then connect the PCI Express power connector to your PCI Express graphic card as needed.
14. Close your computer case.

Advanced cable management system

The Basiq BP550 Plus PSU features Antec's advanced cable management system, which allows you to use only the power cables that you need, thereby reducing clutter and improving airflow inside your case. Cables and connectors are described in Table 1.

Table 1

Cable Quantity	Power Connectors	Part Name	Description
1		Power supply	24-pin (with 4 detachable pins) motherboard connector, 8-pin + 12V connector, 4-pin + 12V connector, 8-pin (with 2 detachable pins) PCI-E connector
2	 x3 x1	Drives and Accessory cable	Includes three Molex connectors and one floppy connector
2	 x3	SATA cable	Includes three Serial ATA connectors
1	 x1	Secondary PCI-E	Includes one PCI Express connector

Antec, Inc.

47900 Fremont Blvd.
Fremont, CA 94538
USA
tel: 510-770-1200
fax: 510-770-1288

Antec Europe B.V.

Stuttgartstraat 12
3047 AS Rotterdam
The Netherlands
tel: + 31 (0) 10 462-2060
fax: + 31 (0) 10 437-1752

Customer Support:

US & Canada

1-800-22ANTEC
customersupport@antec.com

Europe

+ 31 (0) 10 462-2060
europe.techsupport@antec.com

www.antec.com